

## QUIZ #1 FORMULAS AND EXPRESSIONS

1. Evaluate each expression for the given values of the variables.

a.  $4p - 3q + 8$  ;  $p = -6, q = -10$

b.  $-3m^2 - (m + n)^2$  ;  $m = 2, n = -4$

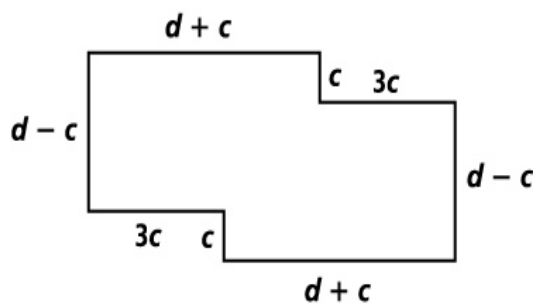
2. Simplify by combining like terms.

a.  $7 - 4(x + y) + 2(x - 3y)$

b.  $3y^2 + 8 - (2y^2 + 12)$

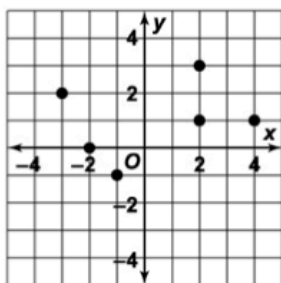
c.  $-12(x^2 + y) + 3(y + x^2)$

3. Find the perimeter. Simplify the answer.

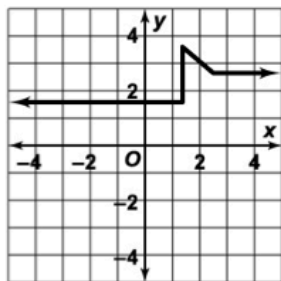


## QUIZ #5 Relations & Functions

1. Write the ordered pairs for the relation. Find the domain and range.



2. Determine whether the relation  $\{(-2, 3), (-5, 6), (3, 0), (1, 1)\}$  is a function.
3. Delete one ordered pair so that the relation  $\{(-4, 2), (1, 6), (0, 0), (-4, 6)\}$  is a function.
4. Determine whether the graph represents a function.



5. Find  $f(-5)$  for each function.
- a.  $f(x) = 5x + 35$
- b.  $f(x) = x^2 - x$